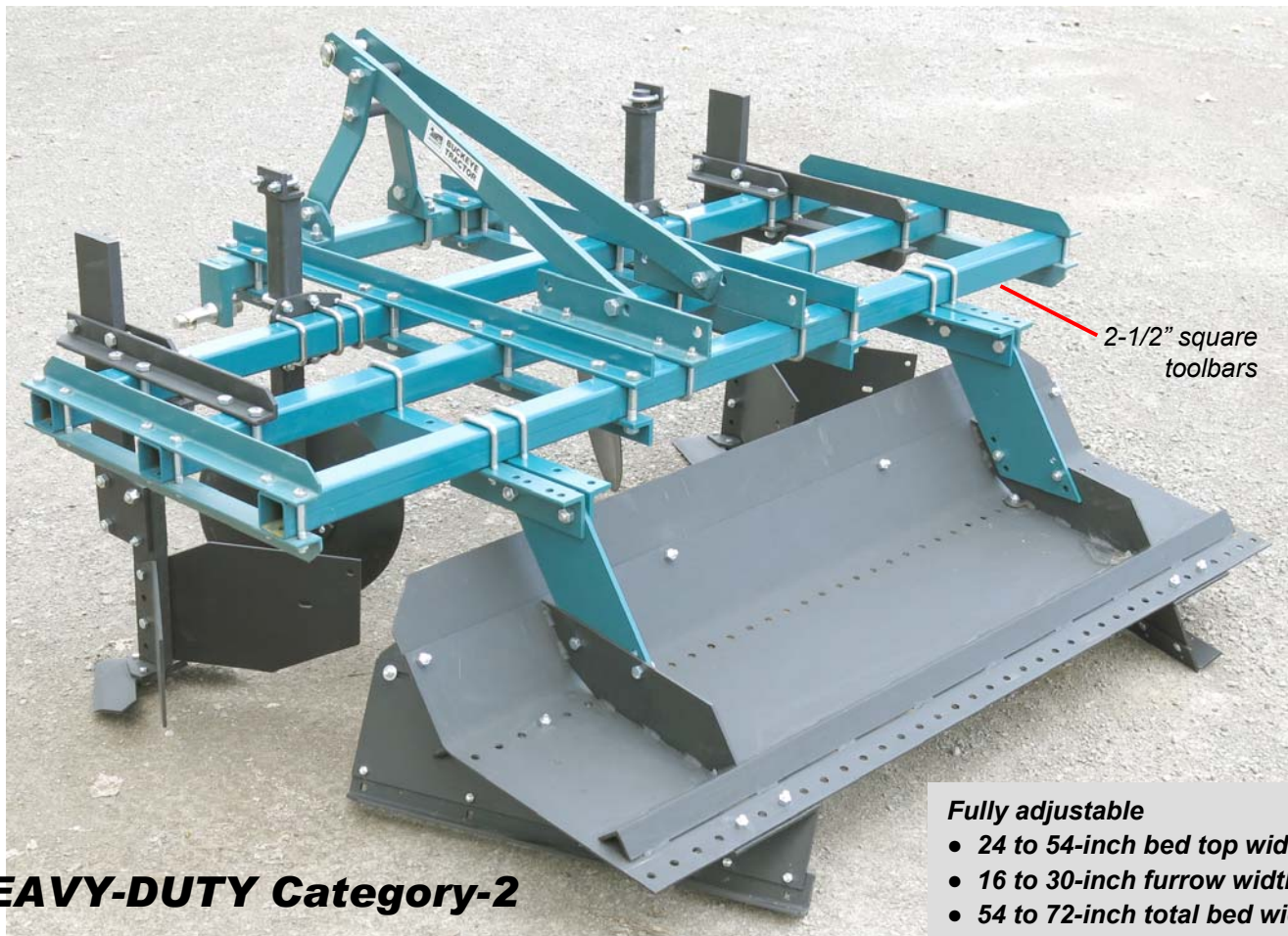


MODEL 4521-D



BED SHAPER



2-1/2" square toolbars

Fully adjustable

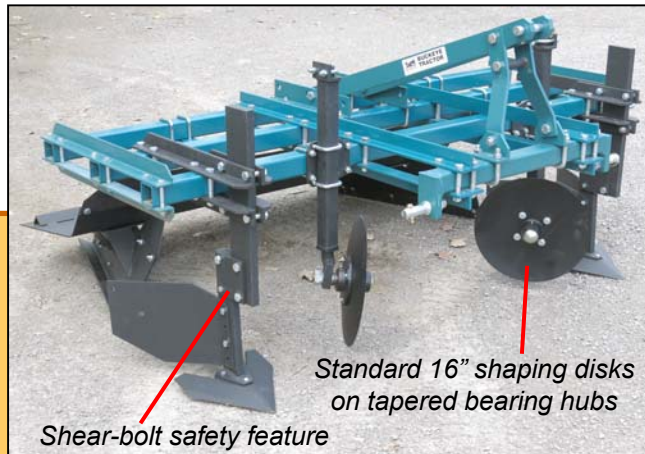
- 24 to 54-inch bed top width
- 16 to 30-inch furrow width
- 54 to 72-inch total bed width

HEAVY-DUTY Category-2

All-purpose bedder for bigger HP

Strength and durability lives up to it's weight to bed more acreage with more power. This heavier model is also needed for 8-10" bed height. Many options available.

- 4 to 10-inch bed height
- 80 PTO-HP rating / for 45 to 80 HP tractors
- Category-2 hitch / quick-hitch compatible



Shear-bolt safety feature

Standard 16" shaping disks on tapered bearing hubs



Add drip tape or puncher wheel attachments

Available with 4-bar toolbar frame to utilize tillage attachments or to add mulch layer attachment

