

## FEATURES

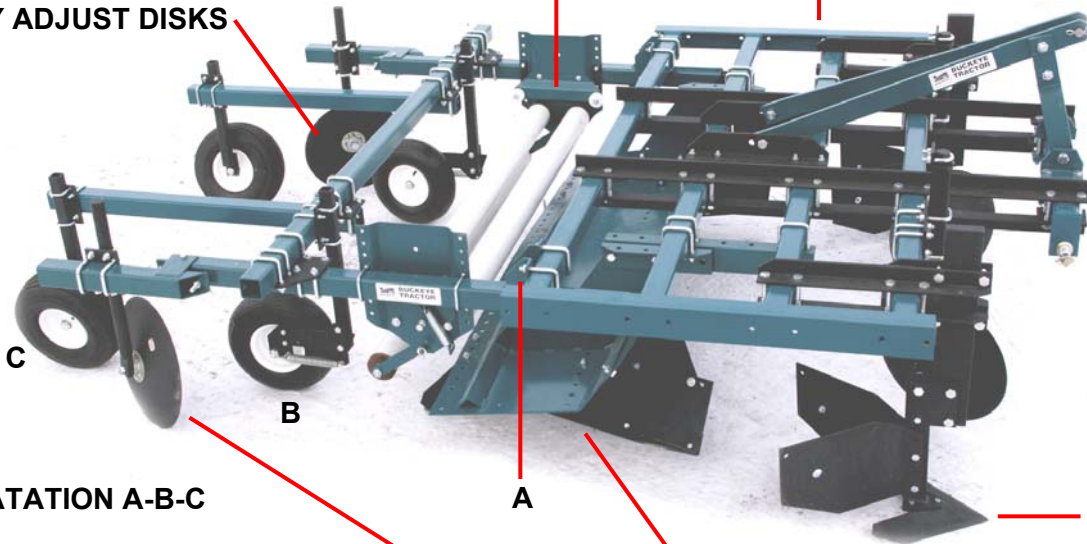
### RUGGED, WELDED TOOLBAR FRAME

*This welded toolbar backbone offers unmatched strength. Adjust, add or remove attachments as needed to adapt and customize without starting over.*

### LOW-CLEARANCE ROLL CARRIAGE

*minimizes effects in windy weather*

### EASY ADJUST DISKS



**3-POINT HITCH**  
*is quick-hitch compatible*

### FLOATATION A-B-C

*The mulch layer frame hinges behind the bed shaper (A) to follow ground contour. Rigid tuck wheels (B), standard on Models 1912-D and 2212-D carry the weight of the frame.*

*Rear gauge wheels (C) transfer mulch layer toolbar weight behind the covering disks. This is optional on 2212-D and standard equipment on 4612-D. Then set tuck wheels (B) to float. Mulch rows are much easier to start.*

A

### FULLY ADJUSTABLE SHAPER PAN

**FURROW SHANKS**  
*includes shear-bolt safety feature*

### COVERING DISKS HAVE DEPTH CONTROL

*With or without rear gauge wheels, covering disks have consistent depth control. Easy to adjust. No tricky disk angles. No disk hopping or gouging. Picture perfect.*

### EASY-LOAD MULCH ROLL

*Set mulch on rollers and go...*



**SHAPING DISKS**

*standard on all models*



**WALK-UP REAR ACCESS**



**ROLL BRAKE**