

- Automatic roll brake**
- Consistent operation**
- No tape stretching**
- Convenient roll loading**
- Versatile mounting**

This state-of-the-art roll brake fully releases when the tractor goes and re-applies to prevent free-wheeling when the tractor slows or stops. No friction or tape stretching problems, no adjustment hassles associated with drag-type brakes. Expect our applicator equipment to perform as well as you expect drip irrigation to perform for your crops.



**PROVEN IN THE FIELD  
SINCE 1996**

- *Automatic roll brake*
- *Right-hand threaded spool shaft*
- *Clamp asby for rigid mounting on 2" square toolbars*

for - 2113 - 2121 - 2131 - 2133 - 2143  
4321 - 4412 - 4422

## 2125-TB

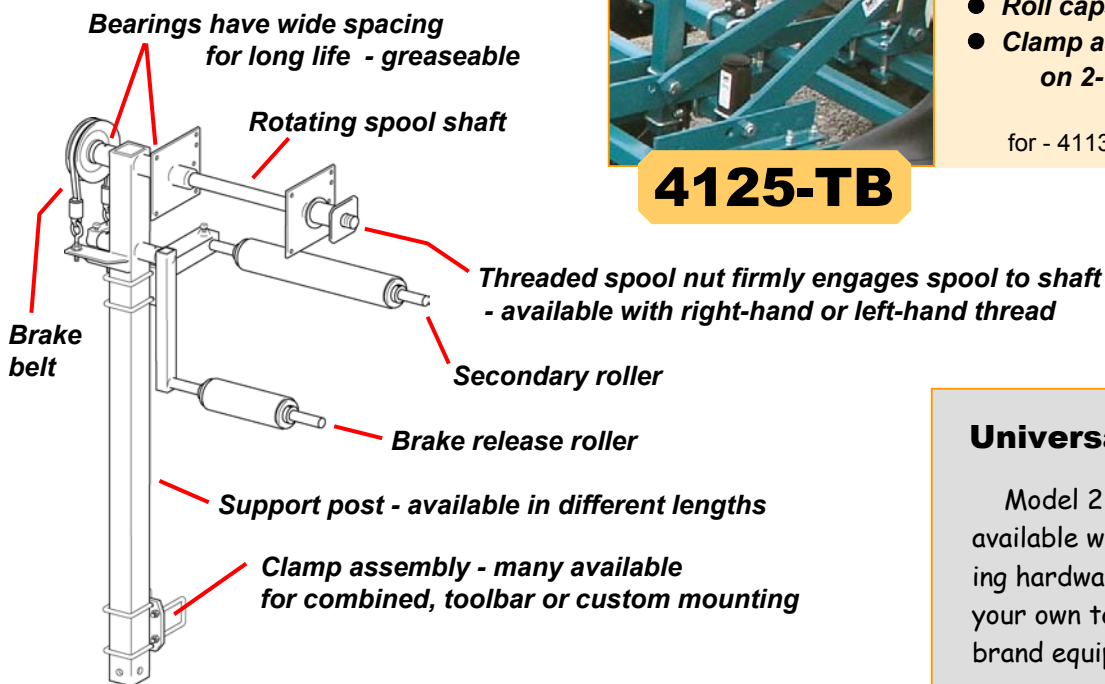


Models 2125-TB and 4125-TB apply a single tape line and include a roll support post and mounting hardware for combined installation on Bed Shapers and Mulch Layers. Apply two tape lines on the same bed with the addition of 2125-TBL or 4125-TBL - see Page 7-3 for details.

- *Automatic roll brake*
- *Right-hand threaded spool shaft*
- *Roll caps standard*
- *Clamp asby for rigid mounting on 2-1/2" square toolbars*

for - 4113 - 4333 - 4531 - 4612

## 4125-TB



### Universal installation

Model 2115-TB and 1915-T are available with a wide selection of mounting hardware for custom-installation on your own toolbar, planters or other-brand equipment - please inquire.